

## *tube for tube bending machines*

# Simulation of the Bending Process with Collision Control and Cycle Time Determination

### Situation:

When setting up complex bent parts, the operator has to test the production process slowly several times in order to make sure that the wire does not collide with the tool. At the same time, however, the set-up process ought to be as fast as possible to minimize downtimes.

### Your benefits:

- Collision control by simulating the entire bending process
- Determination of cycle times for accurate production planning
- Less rejects while setting up the machine
- Feasibility simulation before the bending process

### Solution:

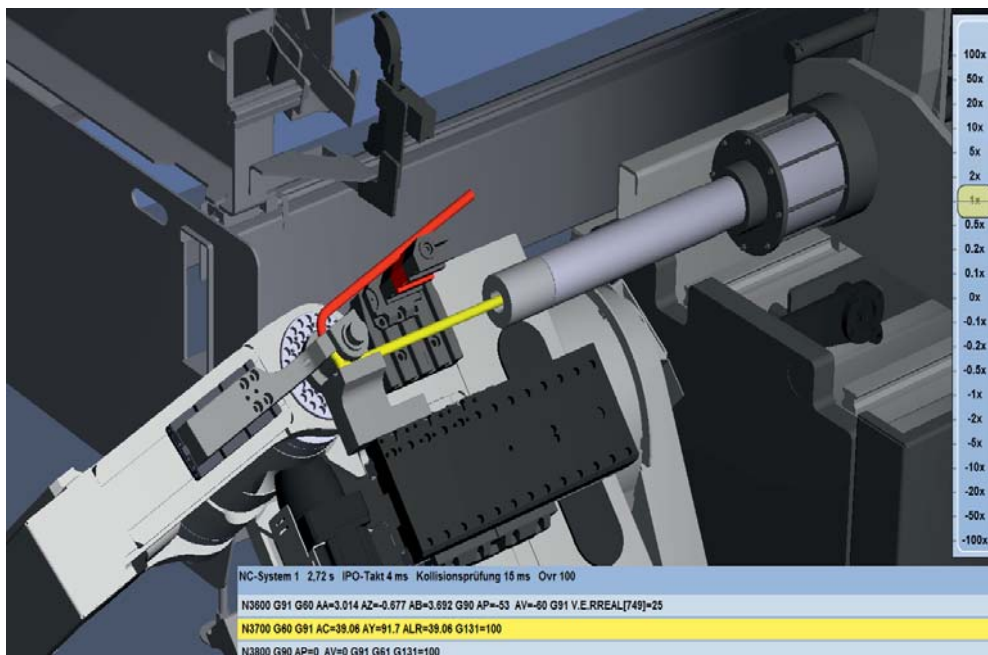
With *iQtube* the bending process can be graphically visualized and the production output can be determined already before or while the part is being set up. Thus the reject rate and risk of collision is reduced during set-up.

### Requirements:

- Application of WAFIOS Tools

### Available machine types:

- BL machines
- BMZ machines
- RBV machines
- TWISTER<sup>2</sup> machines
- Compatible machine sizes on request



**WAFIOS Machinery Corp.**  
 27 Northeast Industrial Road  
 Branford CT, 06405 USA  
 Phone: (203) 481-5555

Fax: (203) 481-9854  
 sales@wafios.us  
 www.wafios.us

**Midwest Technical Center**  
 9830 W. 190th Street, Unit D  
 Mokena, IL 60448 USA

Note scope of delivery and restrictions mentioned in quote © WAFIOS AG 2019