

## CNC Coiling and Bending Machines for Processing Tube from a Coil



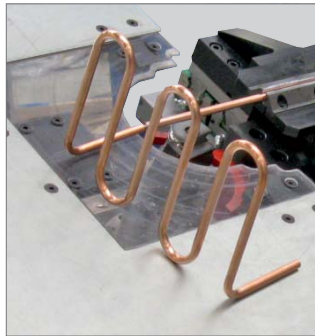
Series  
BM – Tube

# Series BM – Tube

Rotating feed unit  
▼ with straightening unit (BM 40R)



▼ Bending head with table



Roll-cutting unit  
▼ with length measuring wheel



## Our Accomplishments for your Benefit

- New, patented bending technique with eccentric clamping
- Follow bars for left-/right-hand bending
- 3D shapes can be produced
- Reliable cutting systems (chipless)
- Reliable WAFIOS Programming System WPS 3.2 EasyWay

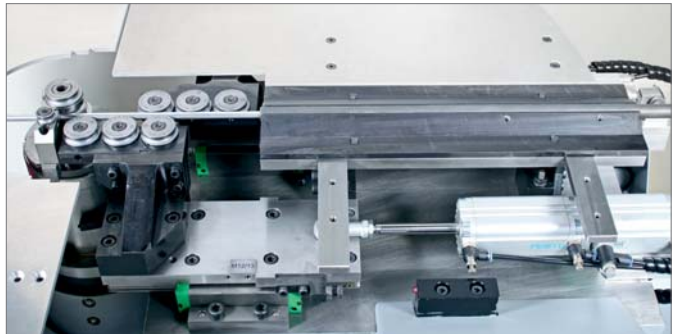
## Design Features

- Bending machine is available in two sizes
- Basic machine with nine CNC axes
- Robust feed unit for advancing and rotating the tube
- Multi-range roller straightener
- Manually displaceable bend-back clearance
- Servomotor-driven roll-cutting equipment for chipless cutting-off of tubes
- Versatile bending head with large bending clearance
- Flexible application possibilities by infinitely rotating bending and mandrel axes as well as large transverse and up/down strokes

## Operation

- High-capacity machine control WAFIOS WPS 3.2 EasyWay with plain-language programming of lengths, angles and coordinates, linking of all machine components, graphical user interface
- Control panel carriage with high-definition 24-inch monitor with touchscreen and hand-held operating device
- Reduced set-up times due to ergonomic access to all tool positions as well as simple and fast programming of tools and parameters
- **iQ** Functions - Enhanced efficiency through intelligent process control

▼ Moving follow bars for left-/right-hand bending available as an option



# Unique, Efficient and Profitable - WAFIOS CNC Tube Coiling and Bending Machines for Processing Tube from a Coil

## Trend-Setting Machine Concept

The BM tube series sets new standards for processing tube material from the coil. Our new patented bending tools enable the bending of geometries that were not producible before. Even spirals with a defined pitch can be bent without any problems.

The BM tube series has a standard pay-off unit AHP 2 as a tube version with pneumatically pre-tensioned dancer roll.

## Quality

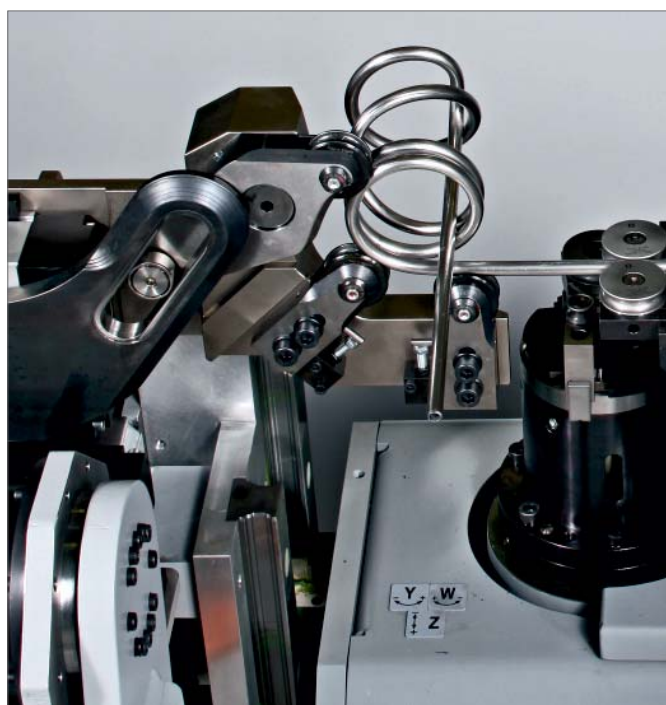
For more than 120 years, the name of WAFIOS has been synonymous with highest quality, safety standards, and technical innovations in the German machine manufacturing industry.

## Reliability

Strict quality controls, state-of-the-art production systems, and many years of experience guarantee that your investment is safe in our hands. Our global service network ensures high availability of WAFIOS machinery.

## Cost efficiency

High production output and a long service life will save money and shorten the amortization time of your investment.

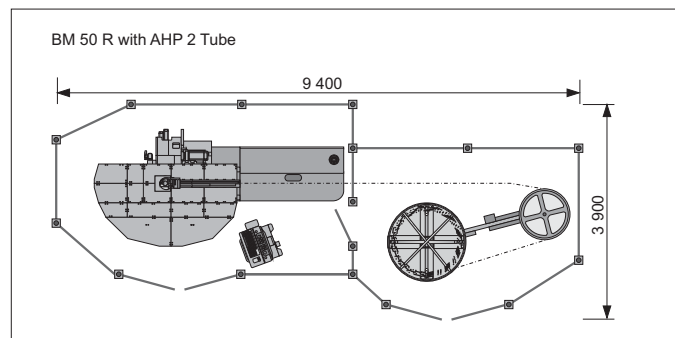


▲ Coiling unit with variable pitch unit

▼ Pay-off unit AHP 2 as tube version



Technical data	BM 40 R	BM 50 R
Operating range (mm) 600 N/mm <sup>2</sup>	max. 10.0 x 1.0	max. 12.7 x 1.0
Feed rollers	3 Pairs	4 Pairs
Rotary angle, mandrel axis	Infinite	Infinite
Rotary angle, bending axis	Infinite	Infinite
Bending head, up/down stroke (mm)	+25 / -120	+25 / -120
Bending head, transverse stroke 30° (mm)	+200 / -100	+200 / -100
Number of bending levels max.	3	3
Bend-back clearance (mm)	720	720
Bending head positioning	30° fixed	30° fixed
Stroke of CNC support plate (mm) (option)	+25 / -235	+25 / -235
Feed rate max. (m/min.)	120	120
Bending torque (Nm)	ca. 520	ca. 1 050
Number of CNC axes (max.)	9 (14)	9 (14)



**WAFIOS Machinery Corp.**  
 27 Northeast Industrial Road  
 Branford, CT 06405 USA  
 Phone: (203) 481-5555  
 Fax: (203) 481-9854  
 sales@wafios.us  
 www.wafios.us

**Midwest Technical Center**  
 9830 W. 190th Street, Unit D  
 Mokena, IL 60448 USA

Precision Machinery for Wire and Tube