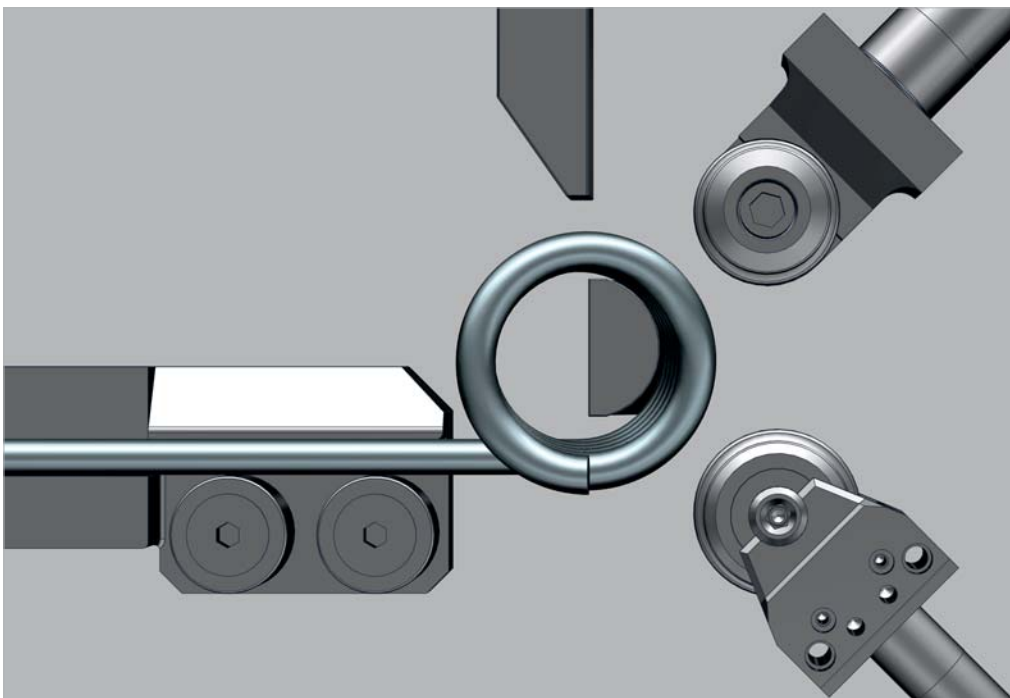
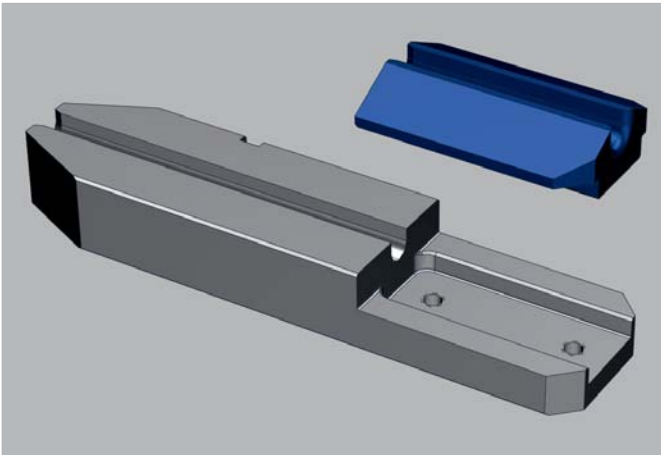


Tool solutions for large spring coiling machines



Services

Services



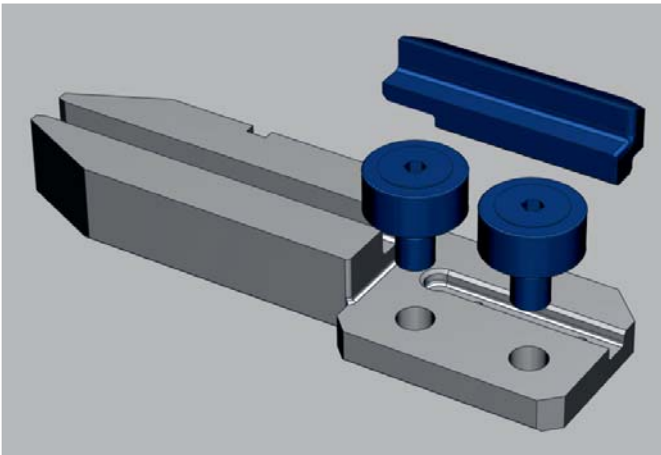
Wire Guide with Insert

The wire guide with insert for large spring coiling machines enables tool costs to be significantly reduced thanks to its modular design. You only have to replace those parts that actually wear out during production.

Up to a wire diameter of 14 mm, the insert is available in carbide as well as in steel.

Available machine types

- FUL 103
- FUL 175



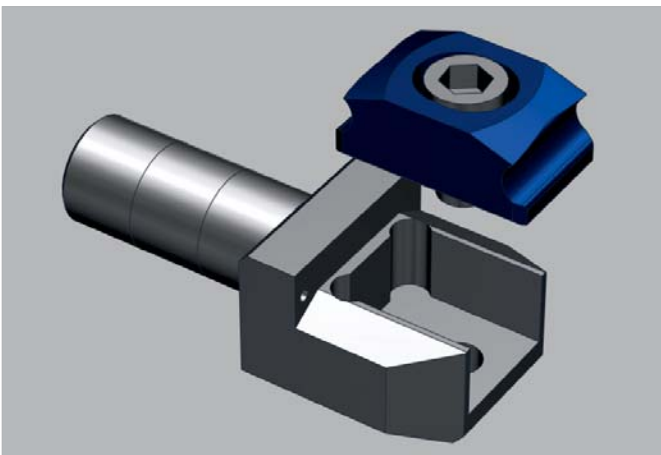
Roller Wire Guide

The roller wire guide with insert and rollers for large spring coiling machines enables tool costs to be significantly reduced thanks to its modular design. You only have to replace those parts that actually wear out during production. The use of rollers minimizes damage on the outside of the springs.

Insert and rollers available in steel version.

Available machine types

- FUL 86, FUL 10, FUL 103, FUL 175
- FSE 93, FSE 143



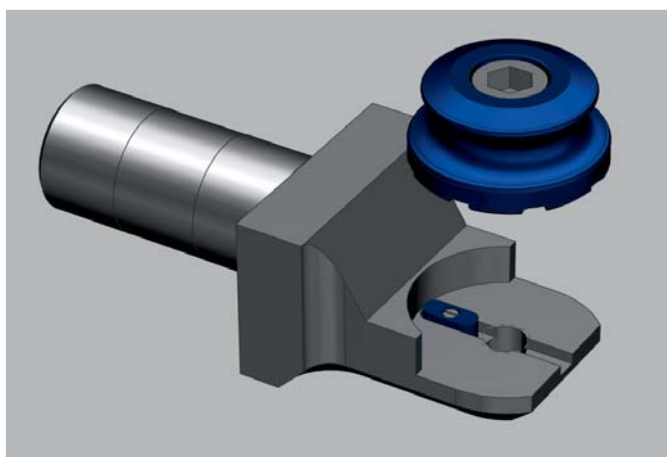
Rounded Coiling Inserts

Until now Wafios coiling inserts have been delivered with chamfers in the head area. The thus generated potential interference contour made a reworking by the machine operator necessary which lead to unproductive downtime and possible damages (microcracks). Therefore in future the Wafios coiling inserts will be delivered in a pre-rounded version as standard. The change will be carried out step by step and largely cost-neutral.

Available machine types

- FUL 86
- Further machine types currently in revision

Tool solutions for large spring coiling machines



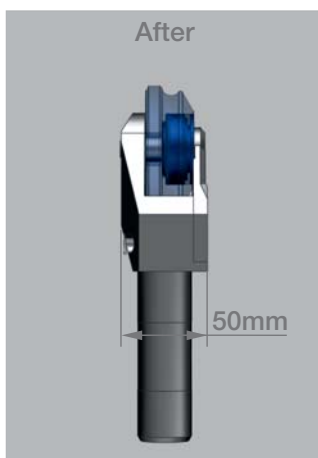
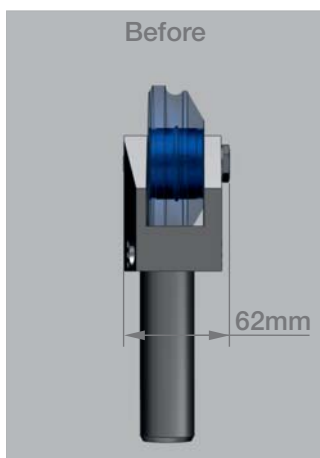
Rotatable Coiling Insert – RCI

The RCI (Rotatable Coiling Insert) for compression spring coilers allows to quadruple (at least) the operating life of the coiling tool compared to standard coiling inserts and coiling pins. This leads directly to considerable cost-cuttings. In comparison to standard coiling inserts smaller coiling ratios can be realized (straight cut).

Available up to a wire diameter of 16 mm.

Available machine types

- FUL 83, FUL 86, FUL 103, FSE 83, FSE 93, FSE 143, FMB 1
- In development for: FUL 10

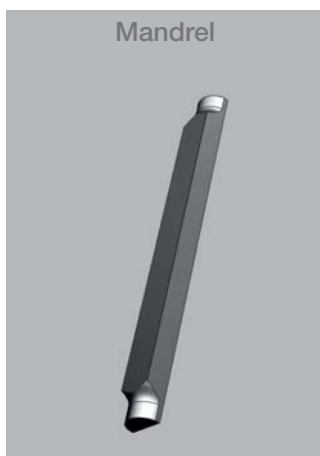


Optimized coiling roller holder

By optimizing the bearing, the front of the coiling roller holder was able to be given a more slimline design than the previous solution. This results in a significantly reduced interference contour. The optimized bearing also makes it easier to replace the coiling roller.

Available machine types

- FUL 10, FUL 86, FUL 103, FUL 175
- FSE 93, FSE 143



Cutting tools made of W04

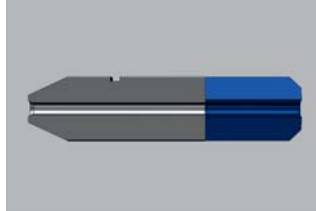
The wear resistance of cutting mandrels and cutters for large spring coiling machines is considerably increased by the use of W04 material (high-alloy cold work steel) and geometrical optimizations. The availability of a big diversity of versions, the possibility to produce customized designs as well as a regrinding service offer an utmost flexibility.

Available machine types

- FUL 9, FUL 93, FUL 10, FUL 103
- FSE 93, FSE 143
- FMB 1

Wire Guide with Insert

- Wear area easy to replace
- Insert available in carbide or steel
- Reduction in tool costs

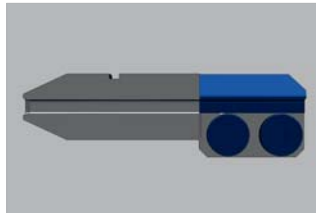


Available machine types

- FUL 103
- FUL 175

Roller Wire Guide

- Rollers minimize damage to the wire
- Wear area easy to replace
- Reduction in tool costs

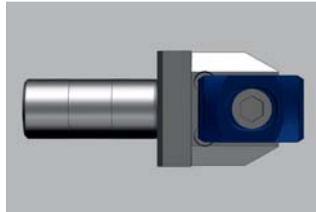


Available machine types

- FUL 86, FUL 10, FUL 103, FUL 175
- FSE 93, FSE 143

Rounded Coiling Inserts

- Need for contour adjustments minimized
- Therefore, reduction of non-productive times and possible damage due to regrinding



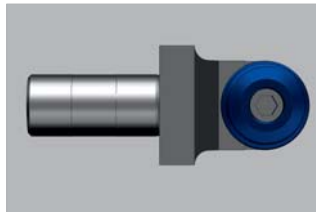
Available machine types

- FUL 86

Further machine types currently in revision

Rotatable Coiling Insert – RCI

- Maximum operating life – the RCI can be used 8 times
- Small coiling ratios realizable
- No loss of position during tool adjustment
- Easy handling



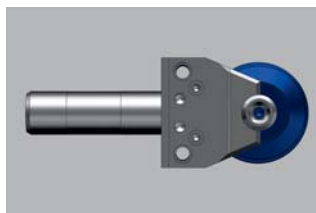
Available machine types

- FUL 83, FUL 86, FUL 103
- FSE 83, FSE 93, FSE 143,
- FMB 1

In development for: FUL 10

Optimized coiling roller holder

- Faster tool change
- Slimline design, therefore smaller interference contour



Available machine types

- FUL 10, FUL 86, FUL 103, FUL 175
- FSE 93, FSE 143

Cutting tools made of W04

- Long service life due to W04 material
- Optimized cut
- Regrinding service for reconditioning
- Production of mandrels with special radii
- Cost savings due to volume discounts



Available machine types

- FUL 9, FUL 93, FUL 10, FUL 103
- FSE 93, FSE 143
- FMB 1

WAFIOS Machinery Corp.

27 Northeast Industrial Road
Branford, CT 06405 USA
Phone: (203) 481-5555
Fax: (203) 481-9854
sales@wafios.us
www.wafios.us

Midwest Technical Center

9830 W. 190th Street, Unit D
Mokena, IL 60448 USA