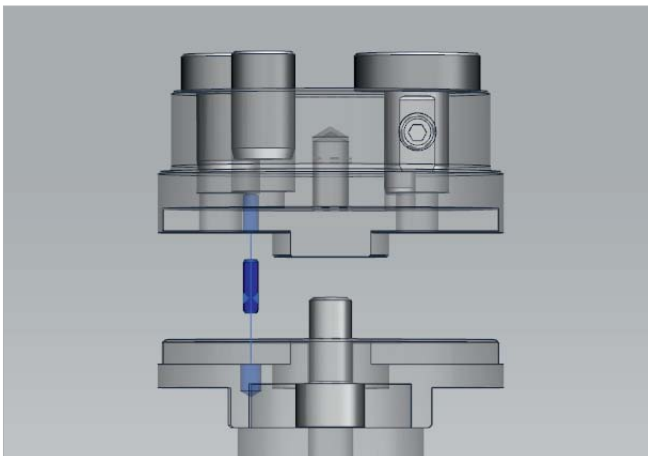
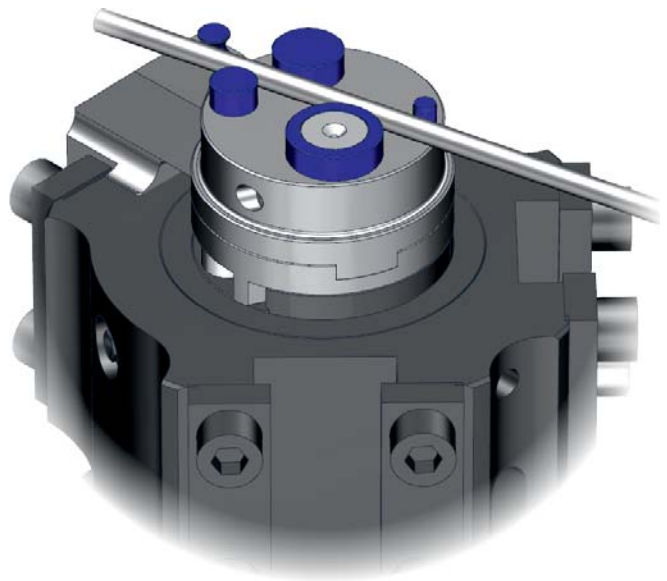


# Multi Bending Tool with ToolFix – MBT

## Bending Tool

An approximately 15% smaller multi-radii bending tool could be designed by optimizing the bending points. The smaller bending tool increases the bending clearance which makes application possibilities more flexible. Due to the nitrided surface of the bending mandrel holder, the coiling roller does not get worn during coiling operations, increasing the tool life significantly.

The ToolFix positioning aid supports the operator in correctly installing tools and thus helps to reduce the risk of tool collisions.



▲ ToolFix positioning aid

## Machine Types:

- BM series
- BM 60 (B axis option)
- BMU series

## Our Accomplishments for your Benefit

- Larger bending clearance by a 15% smaller bending mandrel holder and fewer bending mandrels installed
- Shorter leg lengths and larger bending angles are possible without having to reposition the bending tool
- Longer tool life due to high-quality surface treatment
- Coiling of shorter legs is possible at rear roller
- The ToolFix positioning aid supports the correct installation of tools (prevention of tool collisions) (BM 60 up to wire Ø 7 mm)



**WAFIOS Machinery Corp.**  
27 Northeast Industrial Road  
Branford CT, 06405 USA  
Phone: (203) 481-5555

Fax: (203) 481-9854  
sales@wafios.us  
www.wafios.us

**Midwest Technical Center**  
9830 W. 190th Street, Unit D  
Mokena, IL 60448 USA