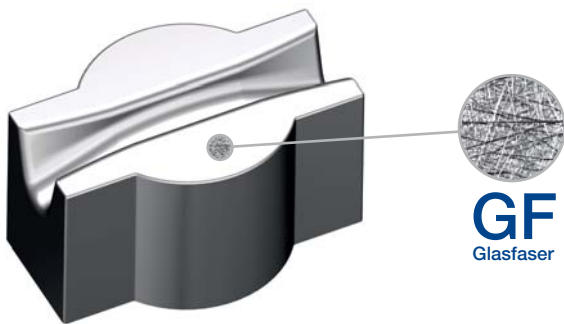


Glass Fiber Reinforced Plastic Jaws – The Choice for Highest Surface Quality

Description

For products with highest surface quality requirements suitable straightening jaws are of utmost importance. Wafios meets those requirements with glass fiber reinforced plastic jaws. Highest surface quality during the straightening process for different wire qualities (e.g. steel wires, drawn bright steel wires, stainless steel wires, alloys), an attractive service life as well as a convincing price-performance ratio render the quick realization of cost advantages possible for our customers.



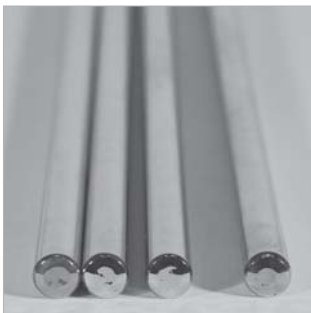
Machine Types:

- R 21, R 23
- R3, R 31, R 32, R 32B, R 33, R 33B, R 35, R 35B, R 36, R 36B
- R4, R 41, R 41B, R 42, R 42B, R 43, R 43B, R 45, R 45B
- R5 R 51, R 51B, R 52, R 52B, R 53, R 53B
- Further types with straightening rotor for 3.0 - 6.0mm: Used in all BT 3.2, BT 3.4, BT 5.2, BMS 31, BMS 36, BMS 4, BMS 5



Our Accomplishments for your Benefit

- Very good surface quality of the wire during the straightening process
- Attractive service life due to glass fibre reinforcement
- Convincing price-performance ratio



WAFIOS Machinery Corp.
27 Northeast Industrial Road
Branford CT, 06405 USA
Phone: (203) 481-5555

Fax: (203) 481-9854
sales@wafios.us
www.wafios.us

Midwest Technical Center
9830 W. 190th Street, Unit D
Mokena, IL 60448 USA