

Electronically Controlled Pay-Off Unit for Wire Material

Powered, electronically controlled pay-off unit for the horizontal placement of spring steel and oil-tempered wire coils.

Design Features:

- Swiveling control unit with roller box
- Manually actuated cover
- Manually adjustable centering stanchions for centering the wire coil
- Wire guide from pay-off drum via rollers fixed on chains
- Connection for protective fence

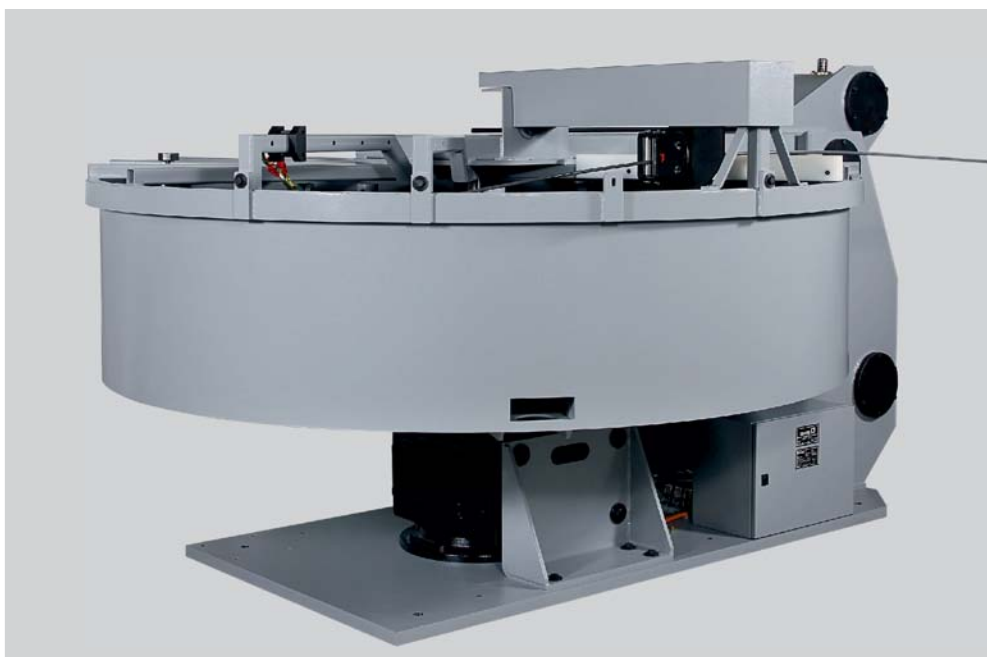
Operation:

- Hand-held operating device
- Exchange of control information with the connected WAFIOS machine
- Integrated emergency stop

Options:

- Core shroud (dia. = 1,000 mm) instead of manually adjustable centering stanchions
- 4 plastic supports on carrier plate
- Slewing pillar crane for lifting and lowering the cover
- Powered cover
- Protective fence

Technical data:	
Wire diameter:	ca. 8 - 18 mm
Outer coil diameter:	max. 2,300 mm
Inner coil diameter:	min. 600 - 2,000 mm
Coil height:	max. 500 mm
Drum edge height from the floor:	ca. 1,290 mm
Cover edge height from the floor:	ca. 1,360 mm
Wire exit height:	ca. 1,490 mm
Load-bearing capacity:	max. 3,000 kg
Rpm:	max. 25 rpm
Weight without wire:	ca. 3,900 kg (depending on equipment)
Pay-off direction:	counter-clockwise



WAFIOS Machinery Corp.
27 Northeast Industrial Road
Branford CT, 06405 USA
Phone: (203) 481-5555

Fax: (203) 481-9854
sales@wafios.us
www.wafios.us

Midwest Technical Center
9830 W. 190th Street, Unit D
Mokena, IL 60448 USA